

Pure Protection: prepare, transfer and store samples securely

Thermo Scientific™ Screw Cap Micro Tube Non-Sterile and Electron Beam Sterilized

Screw Cap micro tubes are incredibly versatile and essential to every lab. Primary applications are centrifugation, separation, freezer storage, transformation, incubation, liquid transfer and water bath.

Adaptable to a variety of industries, 0.5, 1.5 and 2.0 ml screw cap micro tubes are multifaceted and have applied uses in academic's, biotech and pharmaceutical, hospital and reference labs and in a variety of industrial sectors like agriculture, cosmetics, food and beverage.

Thermo Scientific Screw Cap Micro Tubes robust design can maintain a seal and withstand the rigors of centrifugation, freezing and heat exchanges making this tube a reliable option for sample preparation. Screw caps utilize an O-Ring that is compressed as cap is tightened, helping to prevent leaks under demanding conditions. Material selection makes it well suited for biologics work offering excellent sample recovery and low inhibition maximizing sample results. The externally threaded tubes are offered in ultra-clear natural color or UV protective amber tubes. Screw cap micro tubes robust design, material selection and product variety offer solutions to everyday laboratory needs.

Protect samples every step of the way. From sample preparation, transportation to sample storage. Material selection offers low binding and enzyme inhibition. Meticulous design maximizes clarity and durability for rigorous storage & transportation.



Product descriptions: 0.5 ml Screw Cap Micro Tube non-knurl non-skirted

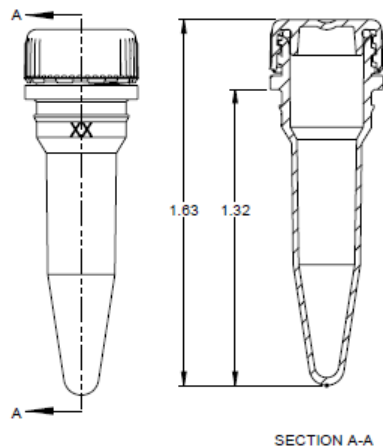
Item no.	Product description	Sterility & packaging description	Packaging quantity and dimension
3462ANK	0.5 ml non-knurl non-skirted amber	Non-Sterile: Tube only, no cap, single bag ziplok seal	Quantity: 500 x pk, 10 pk x cs, 5000 x cs Imperial DIM's case: 11.26 Lb, 25x13.87x10.37 in. Metric DIM's case: 5.11 Kg, 63.5x35.24x26.35 cm
3460ANK	0.5 ml non-knurl non-skirted amber	Non-Sterile: Tube with unattached cap, single bag ziplok seal	Quantity: 500 x pk, 10 pk x cs, 5000 x cs Imperial DIM's case: 15.52 Lb, 25x13.87x10.37 in. Metric DIM's case: 7.04 Kg, 63.5x35.24x26.35 cm
3431ANK	0.5 ml non-knurl non-skirted amber	Sterile E-Beam: Tube with cap threaded onto tube, single bag ziplok seal	Quantity: 500 x pk, 10 pk x cs, 5000 x cs Imperial DIM's case: 19.7 Lb, 25x13.87x10.37 in. Metric DIM's case: 8.94 Kg, 63.5x35.24x26.35 cm
3462ANKS	0.5 ml non-knurl non-skirted amber	Sterile E-Beam: Tube only, no cap, single bag ziplok seal	Quantity: 500 x pk, 10 pk x cs, 5000 x cs Imperial DIM's case: 11.26 Lb, 25x13.87x10.37 in. Metric DIM's case: 5.11 Kg, 63.5x35.24x26.35 cm
3462NK	0.5 ml non-knurl non-skirted natural	Non-Sterile: Tube only, no cap, single bag ziplok seal	Quantity: 500 x pk, 10 pk x cs, 5000 x cs Imperial DIM's case: 11.26 Lb, 25x13.87x10.37 in. Metric DIM's case: 5.11 Kg, 63.5x35.24x26.35 cm
3460NK	0.5 ml non-knurl non-skirted natural	Non-Sterile: Tube only, no cap, single bag ziplok seal	Quantity: 500 x pk, 10 pk x cs, 5000 x cs Imperial DIM's case: 15.52 Lb, 25x13.87x10.37 in. Metric DIM's case: 7.04 Kg, 63.5x35.24x26.35 cm
3431NK	0.5 ml non-knurl non-skirted natural	Sterile E-Beam: Tube with cap threaded onto tube, single bag ziplok seal	Quantity: 500 x pk, 10 pk x cs, 5000 x cs Imperial DIM's case: 19.7 Lb, 25x13.87x10.37 in. Metric DIM's case: 8.94 Kg, 63.5x35.24x26.35 cm
3462NKS	0.5 ml non-knurl non-skirted natural	Sterile E-Beam: Tube only, no cap, single bag ziplok seal	Quantity: 500 x pk, 10 pk x cs, 5000 x cs Imperial DIM's case: 11.26 Lb, 25x13.87x10.37 in. Metric DIM's case: 5.11 Kg, 63.5x35.24x26.35 cm

Tube dimensions

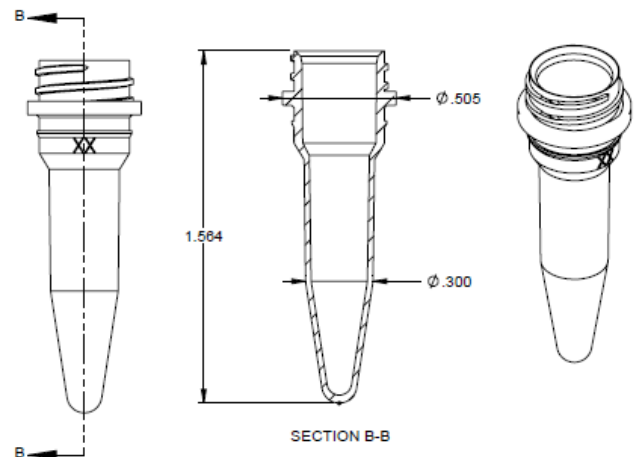
Unit of measure	Tube height without cap	Tube height with cap	Tube diameter
Imperial measurement	1.564 in	1.634 in	0.300 in
Metric measurement	3.97 cm	4.15 cm	0.76 cm



Tube with cap



Tube without cap



Product descriptions: 0.5 ml Screw Cap Micro Tube knurl skirted

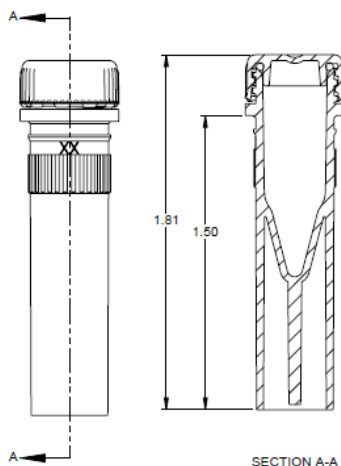
Item no.	Product description	Sterility & packaging description	Packaging quantity and dimension
3472A	0.5 ml knurl skirted amber	Non-Sterile: Tube with unattached cap, single bag ziplok seal	Quantity: 500 x pk, 10 pk x cs, 5000 x cs Imperial DIM's case: 23.67 Lb, 25x13.87x10.37 in. Metric DIM's case: 10.74 Kg, 63.5x35.24x26.35 cm
3422A	0.5 ml knurl skirted amber	Non-Sterile: Tube only, no cap, single bag ziplok seal	Quantity: 500 x pk, 10 pk x cs, 5000 x cs Imperial DIM's case: 19.05 Lb, 25x13.87x10.37 in. Metric DIM's case: 8.64 Kg, 63.5x35.24x26.35 cm
3465A	0.5 ml knurl skirted amber	Sterile E-Beam: Tube with cap threaded onto tube, single bag ziplok seal	Quantity: 500 x pk, 10 pk x cs, 5000 x cs Imperial DIM's case: 23.35 Lb, 25x13.87x10.37 in. Metric DIM's case: 10.59 Kg, 63.5x35.24x26.35 cm
3422AS	0.5 ml knurl skirted amber	Sterile E-Beam: Tube only, no cap, single bag ziplok seal	Quantity: 500 x pk, 10 pk x cs, 5000 x cs Imperial DIM's case: 19.05 Lb, 25x13.87x10.37 in. Metric DIM's case: 8.64 Kg, 63.5x35.24x26.35 cm
3422-11	0.5 ml knurl skirted natural	Non-Sterile: Tube only, no cap, single bag ziplok seal	Quantity: 500 x pk, 10 pk x cs, 5000 x cs Imperial DIM's case: 19.05 Lb, 25x13.87x10.37 in. Metric DIM's case: 8.64 Kg, 63.5x35.24x26.35 cm
3472	0.5 ml knurl skirted natural	Non-Sterile: Tube with unattached cap, single bag ziplok seal	Quantity: 500 x pk, 10 pk x cs, 5000 x cs Imperial DIM's case: 23.67 Lb, 25x13.87x10.37 in. Metric DIM's case: 10.74 Kg, 63.5x35.24x26.35 cm
3465	0.5 ml knurl skirted natural	Sterile E-Beam: Tube with cap threaded onto tube, single bag ziplok seal	Quantity: 500 x pk, 10 pk x cs, 5000 x cs Imperial DIM's case: 23.35 Lb, 25x13.87x10.37 in. Metric DIM's case: 10.59 Kg, 63.5x35.24x26.35 cm
3422S	0.5 ml knurl skirted natural	Sterile E-Beam: Tube only, no cap, single bag ziplok seal	Quantity: 500 x pk, 10 pk x cs, 5000 x cs Imperial DIM's case: 19.05 Lb, 25x13.87x10.37 in. Metric DIM's case: 8.64 Kg, 63.5x35.24x26.35 cm

Tube dimensions

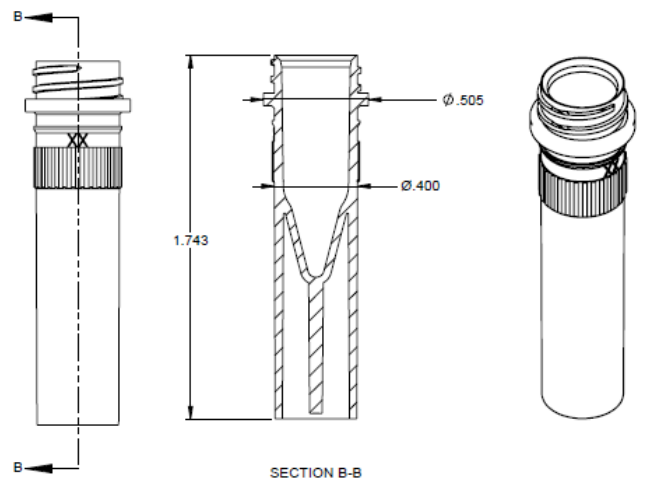
Unit of measure	Tube height without cap	Tube height with cap	Tube diameter
Imperial measurement	1.743 in	1.810 in	0.400 in
Metric measurement	4.43 cm	4.60 cm	1.02 cm



Tube with cap



Tube without cap



Product descriptions: 0.5 ml Screw Cap Micro Tube non-knurl skirted

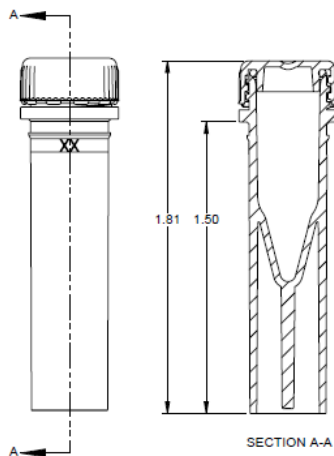
Item no.	Product description	Sterility & packaging description	Packaging quantity and dimension
3422ANK	0.5 ml non-knurl skirted amber	Non-Sterile: Tube only, no cap, single bag ziplok seal	Quantity: 500 x pk, 10 pk x cs, 5000 x cs Imperial DIM's case: 19.05 Lb, 25x13.87x10.37 in. Metric DIM's case: 8.64 Kg, 63.5x35.24x26.35 cm
3472ANK	0.5 ml non-knurl skirted amber	Non-Sterile: Tube with unattached cap, single bag ziplok seal	Quantity: 500 x pk, 10 pk x cs, 5000 x cs Imperial DIM's case: 23.67 Lb, 25x13.87x10.37 in. Metric DIM's case: 10.74 Kg, 63.5x35.24x26.35 cm
3465ANK	0.5 ml non-knurl skirted amber	Sterile E-Beam: Tube with cap threaded onto tube, single bag ziplok seal	Quantity: 500 x pk, 10 pk x cs, 5000 x cs Imperial DIM's case: 23.35 Lb, 25x13.87x10.37 in. Metric DIM's case: 10.59 Kg, 63.5x35.24x26.35 cm
3422ANKS	0.5 ml non-knurl skirted amber	Sterile E-Beam: Tube only, no cap, single bag ziplok seal	Quantity: 500 x pk, 10 pk x cs, 5000 x cs Imperial DIM's case: 19.05 Lb, 25x13.87x10.37 in. Metric DIM's case: 8.64 Kg, 63.5x35.24x26.35 cm
3422NK	0.5 ml non-knurl skirted natural	Non-Sterile: Tube only, no cap, single bag ziplok seal	Quantity: 500 x pk, 10 pk x cs, 5000 x cs Imperial DIM's case: 19.05 Lb, 25x13.87x10.37 in. Metric DIM's case: 8.64 Kg, 63.5x35.24x26.35 cm
3472NK	0.5 ml non-knurl skirted natural	Non-Sterile: Tube with unattached cap, single bag ziplok seal	Quantity: 500 x pk, 10 pk x cs, 5000 x cs Imperial DIM's case: 23.67 Lb, 25x13.87x10.37 in. Metric DIM's case: 10.74 Kg, 63.5x35.24x26.35 cm
3465NK	0.5 ml non-knurl skirted natural	Sterile E-Beam: Tube with cap threaded onto tube, single bag ziplok seal	Quantity: 500 x pk, 10 pk x cs, 5000 x cs Imperial DIM's case: 23.35 Lb, 25x13.87x10.37 in. Metric DIM's case: 10.59 Kg, 63.5x35.24x26.35 cm
3422NKS	0.5 ml non-knurl skirted natural	Sterile E-Beam: Tube only, no cap, single bag ziplok seal	Quantity: 500 x pk, 10 pk x cs, 5000 x cs Imperial DIM's case: 19.05 Lb, 25x13.87x10.37 in. Metric DIM's case: 8.64 Kg, 63.5x35.24x26.35 cm

Tube dimensions

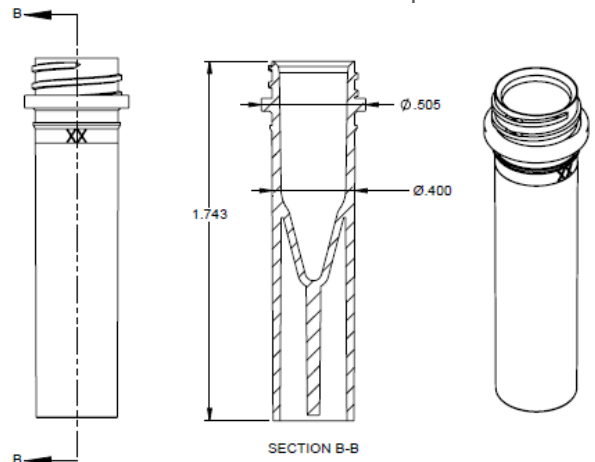
Unit of measure	Tube height without cap	Tube height with cap	Tube diameter
Imperial measurement	1.743 in	1.810 in	0.400 in
Metric measurement	4.43 cm	4.60 cm	1.02 cm



Tube with cap



Tube without cap



Product descriptions: 1.5 ml Screw Cap Micro Tube knurl non-skirted

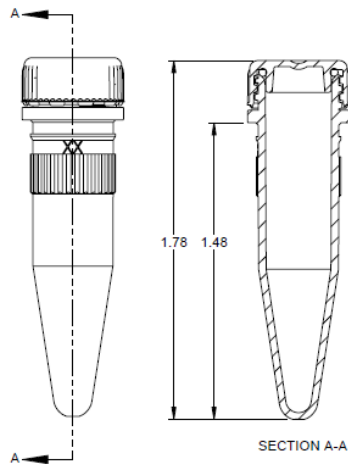
Item no.	Product description	Sterility & packaging description	Packaging quantity and dimension
3464A	1.5 ml knurl non-skirted amber	Non-Sterile: Tube with unattached cap, single bag ziplok seal	Quantity: 500 x pk, 10 pk x cs, 5000 x cs Imperial DIM's case: 18.61 Lb, 25x13.87x10.37 in. Metric DIM's case: 8.44 Kg, 63.5x35.24x26.35 cm
3466A	1.5 ml knurl non-skirted amber	Non-Sterile: Tube only, no cap, single bag ziplok seal	Quantity: 500 x pk, 10 pk x cs, 5000 x cs Imperial DIM's case: 14.7 Lb, 25x13.87x10.37 in. Metric DIM's case: 6.67 Kg, 63.5x35.24x26.35 cm
3461A	1.5 ml knurl non-skirted amber	Sterile E-Beam: Tube with cap threaded onto tube, single bag ziplok seal	Quantity: 500 x pk, 10 pk x cs, 5000 x cs Imperial DIM's case: 18.23 Lb, 25x13.87x10.37 in. Metric DIM's case: 8.27 Kg, 63.5x35.24x26.35 cm
3466AS	1.5 ml knurl non-skirted amber	Sterile E-Beam: Tube only, no cap, single bag ziplok seal	Quantity: 500 x pk, 10 pk x cs, 5000 x cs Imperial DIM's case: 14.7 Lb, 25x13.87x10.37 in. Metric DIM's case: 6.67 Kg, 63.5x35.24x26.35 cm
3466	1.5 ml knurl non-skirted natural	Non-Sterile: Tube only, no cap, single bag ziplok seal	Quantity: 500 x pk, 10 pk x cs, 5000 x cs Imperial DIM's case: 14.7 Lb, 25x13.87x10.37 in. Metric DIM's case: 6.67 Kg, 63.5x35.24x26.35 cm
3464	1.5 ml knurl non-skirted natural	Non-Sterile: Tube with unattached cap, single bag ziplok seal	Quantity: 500 x pk, 10 pk x cs, 5000 x cs Imperial DIM's case: 18.61 Lb, 25x13.87x10.37 in. Metric DIM's case: 8.44 Kg, 63.5x35.24x26.35 cm
3461	1.5 ml knurl non-skirted natural	Sterile E-Beam: Tube with cap threaded onto tube, single bag ziplok seal	Quantity: 500 x pk, 10 pk x cs, 5000 x cs Imperial DIM's case: 18.23 Lb, 25x13.87x10.37 in. Metric DIM's case: 8.27 Kg, 63.5x35.24x26.35 cm
3466S	1.5 ml knurl non-skirted natural	Sterile E-Beam: Tube only, no cap, single bag ziplok seal	Quantity: 500 x pk, 10 pk x cs, 5000 x cs Imperial DIM's case: 14.7 Lb, 25x13.87x10.37 in. Metric DIM's case: 6.67 Kg, 63.5x35.24x26.35 cm

Tube dimensions

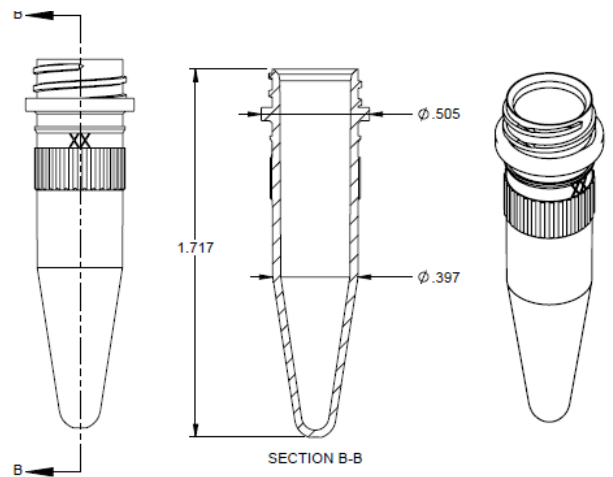
Unit of measure	Tube height without cap	Tube height with cap	Tube diameter
Imperial measurement	1.717 in	1.780 in	0.397 in
Metric measurement	4.36 cm	4.52 cm	1.01 cm



Tube with cap



Tube without cap



Product descriptions: 1.5 ml Screw Cap Micro Tube non-knurl non-skirted

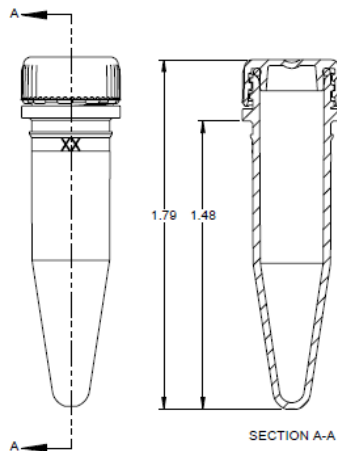
Item no.	Product description	Sterility & packaging description	Packaging quantity and dimension
3466ANK	1.5 ml non-knurl non-skirted amber	Non-Sterile: Tube only, no cap, single bag ziplok seal	Quantity: 500 x pk, 10 pk x cs, 5000 x cs Imperial DIM's case: 14.7 Lb, 25x13.87x10.37 in. Metric DIM's case: 6.67 Kg, 63.5x35.24x26.35 cm
3464ANK	1.5 ml non-knurl non-skirted amber	Non-Sterile: Tube with unattached cap, single bag ziplok seal	Quantity: 500 x pk, 10 pk x cs, 5000 x cs Imperial DIM's case: 18.61 Lb, 25x13.87x10.37 in. Metric DIM's case: 8.44 Kg, 63.5x35.24x26.35 cm
3461ANK	1.5 ml non-knurl non-skirted amber	Sterile E-Beam: Tube with cap threaded onto tube, single bag ziplok seal	Quantity: 500 x pk, 10 pk x cs, 5000 x cs Imperial DIM's case: 18.23 Lb, 25x13.87x10.37 in. Metric DIM's case: 8.27 Kg, 63.5x35.24x26.35 cm
3466ANKS	1.5 ml non-knurl non-skirted amber	Sterile E-Beam: Tube only, no cap, single bag ziplok seal	Quantity: 500 x pk, 10 pk x cs, 5000 x cs Imperial DIM's case: 14.7 Lb, 25x13.87x10.37 in. Metric DIM's case: 6.67 Kg, 63.5x35.24x26.35 cm
3466NK	1.5 ml non-knurl non-skirted natural	Non-Sterile: Tube only, no cap, single bag ziplok seal	Quantity: 500 x pk, 10 pk x cs, 5000 x cs Imperial DIM's case: 14.7 Lb, 25x13.87x10.37 in. Metric DIM's case: 6.67 Kg, 63.5x35.24x26.35 cm
3464NK	1.5 ml non-knurl non-skirted natural	Non-Sterile: Tube with unattached cap, single bag ziplok seal	Quantity: 500 x pk, 10 pk x cs, 5000 x cs Imperial DIM's case: 18.61 Lb, 25x13.87x10.37 in. Metric DIM's case: 8.44 Kg, 63.5x35.24x26.35 cm
3461NK	1.5 ml non-knurl non-skirted natural	Sterile E-Beam: Tube with cap threaded onto tube, single bag ziplok seal	Quantity: 500 x pk, 10 pk x cs, 5000 x cs Imperial DIM's case: 18.23 Lb, 25x13.87x10.37 in. Metric DIM's case: 8.27 Kg, 63.5x35.24x26.35 cm
3466NKS	1.5 ml non-knurl non-skirted natural	Sterile E-Beam: Tube only, no cap, single bag ziplok seal	Quantity: 500 x pk, 10 pk x cs, 5000 x cs Imperial DIM's case: 14.7 Lb, 25x13.87x10.37 in. Metric DIM's case: 6.67 Kg, 63.5x35.24x26.35 cm

Tube dimensions

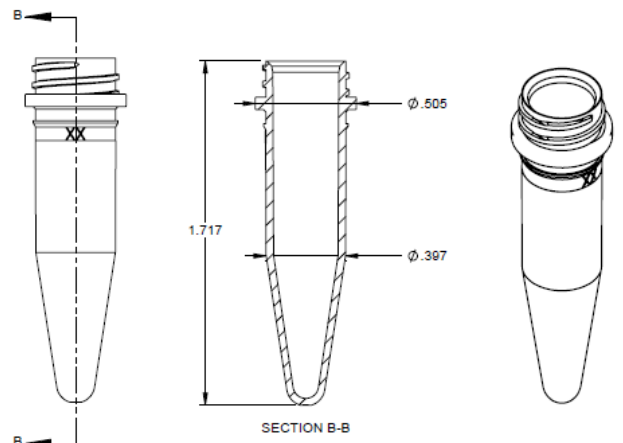
Unit of measure	Tube height without cap	Tube height with cap	Tube diameter
Imperial measurement	1.717 in	1.790 in	0.397 in
Metric measurement	4.36 cm	4.55 cm	1.01 cm



Tube with cap



Tube without cap



Product descriptions: 1.5 ml Screw Cap Micro Tube knurl skirted

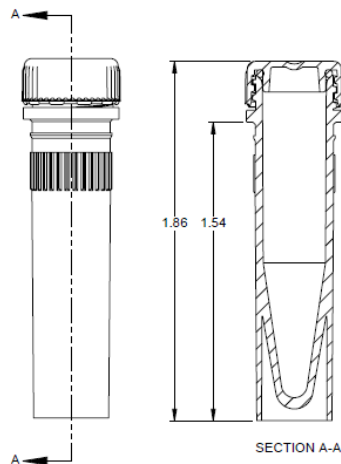
Item no.	Product description	Sterility & packaging description	Packaging quantity and dimension
3474A	1.5 ml knurl skirted amber	Non-Sterile: Tube with unattached cap, single bag ziplok seal	Quantity: 500 x pk, 10 pk x cs, 5000 x cs Imperial DIM's case: 24.15 Lb, 25x13.87x10.37 in. Metric DIM's case: 10.95 Kg, 63.5x35.24x26.35 cm
3478A	1.5 ml knurl skirted amber	Non-Sterile: Tube only, no cap, single bag ziplok seal	Quantity: 500 x pk, 10 pk x cs, 5000 x cs Imperial DIM's case: 19.83 Lb, 25x13.87x10.37 in. Metric DIM's case: 8.99 Kg, 63.5x35.24x26.35 cm
3467A	1.5 ml knurl skirted amber	Sterile E-Beam: Tube with cap threaded onto tube, single bag ziplok seal	Quantity: 500 x pk, 10 pk x cs, 5000 x cs Imperial DIM's case: 24.16 Lb, 25x13.87x10.37 in. Metric DIM's case: 10.96 Kg, 63.5x35.24x26.35 cm
3478AS	1.5 ml knurl skirted amber	Sterile E-Beam: Tube only, no cap, single bag ziplok seal	Quantity: 500 x pk, 10 pk x cs, 5000 x cs Imperial DIM's case: 19.83 Lb, 25x13.87x10.37 in. Metric DIM's case: 8.99 Kg, 63.5x35.24x26.35 cm
3478	1.5 ml knurl skirted natural	Non-Sterile: Tube only, no cap, single bag ziplok seal	Quantity: 500 x pk, 10 pk x cs, 5000 x cs Imperial DIM's case: 19.83 Lb, 25x13.87x10.37 in. Metric DIM's case: 8.99 Kg, 63.5x35.24x26.35 cm
3474	1.5 ml knurl skirted natural	Non-Sterile: Tube with unattached cap, single bag ziplok seal	Quantity: 500 x pk, 10 pk x cs, 5000 x cs Imperial DIM's case: 24.15 Lb, 25x13.87x10.37 in. Metric DIM's case: 10.95 Kg, 63.5x35.24x26.35 cm
3467-11	1.5 ml knurl skirted natural	Sterile E-Beam: Tube with cap threaded onto tube, single bag ziplok seal	Quantity: 500 x pk, 10 pk x cs, 5000 x cs Imperial DIM's case: 24.16 Lb, 25x13.87x10.37 in. Metric DIM's case: 10.96 Kg, 63.5x35.24x26.35 cm
3478S	1.5 ml knurl skirted natural	Sterile E-Beam: Tube only, no cap, single bag ziplok seal	Quantity: 500 x pk, 10 pk x cs, 5000 x cs Imperial DIM's case: 19.83 Lb, 25x13.87x10.37 in. Metric DIM's case: 8.99 Kg, 63.5x35.24x26.35 cm

Tube dimensions

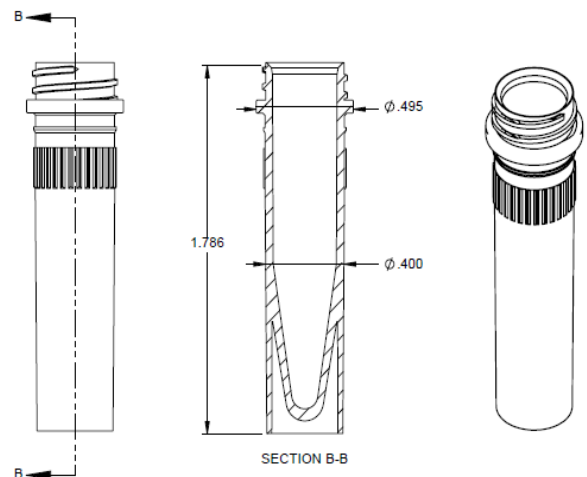
Unit of measure	Tube height without cap	Tube height with cap	Tube diameter
Imperial measurement	1.786 in	1.860 in	0.400 in
Metric measurement	4.54 cm	4.72 cm	1.02 cm



Tube with cap



Tube without cap



Product descriptions: 2.0 ml Screw Cap Micro Tube knurl skirted

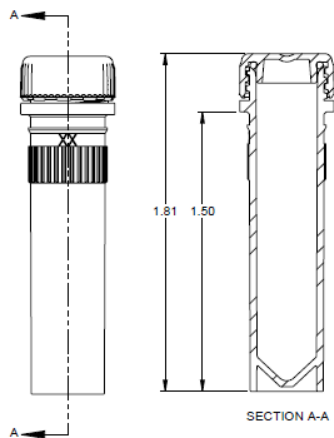
Item no.	Product description	Sterility & packaging description	Packaging quantity and dimension
3488A	2.0 ml knurl skirted amber	Non-Sterile: Tube with unattached cap, single bag ziplok seal	Quantity: 500 x pk, 10 pk x cs, 5000 x cs Imperial DIM's case: 21.54 Lb, 25x13.87x10.37 in. Metric DIM's case: 9.77 Kg, 63.5x35.24x26.35 cm
3490A	2.0 ml knurl skirted amber	Non-Sterile: Tube only, no cap, single bag ziplok seal	Quantity: 500 x pk, 10 pk x cs, 5000 x cs Imperial DIM's case: 17.23 Lb, 25x13.87x10.37 in. Metric DIM's case: 7.82 Kg, 63.5x35.24x26.35 cm
3469A	2.0 ml knurl skirted amber	Sterile E-Beam: Tube with cap threaded onto tube, single bag ziplok seal	Quantity: 500 x pk, 10 pk x cs, 5000 x cs Imperial DIM's case: 21.57 Lb, 25x13.87x10.37 in. Metric DIM's case: 9.78 Kg, 63.5x35.24x26.35 cm
3490AS	2.0 ml knurl skirted amber	Sterile E-Beam: Tube only, no cap, single bag ziplok seal	Quantity: 500 x pk, 10 pk x cs, 5000 x cs Imperial DIM's case: 17.23 Lb, 25x13.87x10.37 in. Metric DIM's case: 7.82 Kg, 63.5x35.24x26.35 cm
3490	2.0 ml knurl skirted natural	Non-Sterile: Tube only, no cap, single bag ziplok seal	Quantity: 500 x pk, 10 pk x cs, 5000 x cs Imperial DIM's case: 17.23 Lb, 25x13.87x10.37 in. Metric DIM's case: 7.82 Kg, 63.5x35.24x26.35 cm
3488	2.0 ml knurl skirted natural	Non-Sterile: Tube with unattached cap, single bag ziplok seal	Quantity: 500 x pk, 10 pk x cs, 5000 x cs Imperial DIM's case: 21.54 Lb, 25x13.87x10.37 in. Metric DIM's case: 9.77 Kg, 63.5x35.24x26.35 cm
3469-11	2.0 ml knurl skirted natural	Sterile E-Beam: Tube with cap threaded onto tube, single bag ziplok seal	Quantity: 500 x pk, 10 pk x cs, 5000 x cs Imperial DIM's case: 21.57 Lb, 25x13.87x10.37 in. Metric DIM's case: 9.78 Kg, 63.5x35.24x26.35 cm
3490S	2.0 ml knurl skirted natural	Sterile E-Beam: Tube only, no cap, single bag ziplok seal	Quantity: 500 x pk, 10 pk x cs, 5000 x cs Imperial DIM's case: 17.23 Lb, 25x13.87x10.37 in. Metric DIM's case: 7.82 Kg, 63.5x35.24x26.35 cm

Tube dimensions

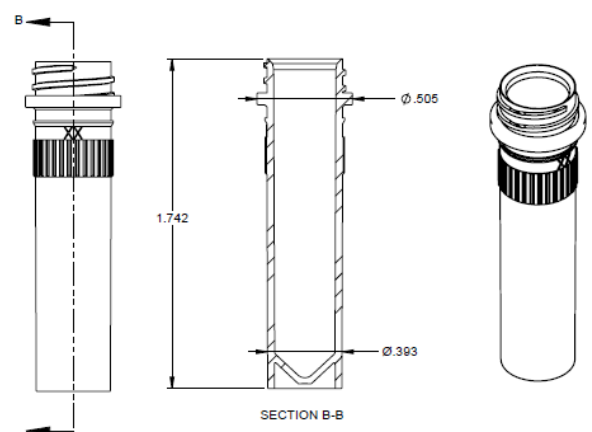
Unit of measure	Tube height without cap	Tube height with cap	Tube diameter
Imperial measurement	1.742 in	1.810 in	0.393 in
Metric measurement	4.42 cm	4.60 cm	1.00 cm



Tube with cap



Tube without cap



Product descriptions: 2.0 ml Screw Cap Micro Tube non-knurl skirted

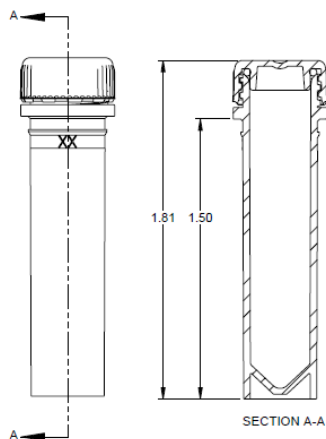
Item no.	Product description	Sterility & packaging description	Packaging quantity and dimension
3490ANK	2.0 ml non-knurl skirted amber	Non-Sterile: Tube only, no cap, single bag ziplok seal	Quantity: 500 x pk, 10 pk x cs, 5000 x cs Imperial DIM's case: 17.23 Lb, 25x13.87x10.37 in. Metric DIM's case: 7.82 Kg, 63.5x35.24x26.35 cm
3488ANK	2.0 ml non-knurl skirted amber	Non-Sterile: Tube with unattached cap, single bag ziplok seal	Quantity: 500 x pk, 10 pk x cs, 5000 x cs Imperial DIM's case: 21.54 Lb, 25x13.87x10.37 in. Metric DIM's case: 9.77 Kg, 63.5x35.24x26.35 cm
3469ANK	2.0 ml non-knurl skirted amber	Sterile E-Beam: Tube with cap threaded onto tube, single bag ziplok seal	Quantity: 500 x pk, 10 pk x cs, 5000 x cs Imperial DIM's case: 21.57 Lb, 25x13.87x10.37 in. Metric DIM's case: 9.78 Kg, 63.5x35.24x26.35 cm
3490ANKS	2.0 ml non-knurl skirted amber	Sterile E-Beam: Tube only, no cap, single bag ziplok seal	Quantity: 500 x pk, 10 pk x cs, 5000 x cs Imperial DIM's case: 17.23 Lb, 25x13.87x10.37 in. Metric DIM's case: 7.82 Kg, 63.5x35.24x26.35 cm
3490NK	2.0 ml non-knurl skirted natural	Non-Sterile: Tube only, no cap, single bag ziplok seal	Quantity: 500 x pk, 10 pk x cs, 5000 x cs Imperial DIM's case: 17.23 Lb, 25x13.87x10.37 in. Metric DIM's case: 7.82 Kg, 63.5x35.24x26.35 cm
3488NK	2.0 ml non-knurl skirted natural	Non-Sterile: Tube with unattached cap, single bag ziplok seal	Quantity: 500 x pk, 10 pk x cs, 5000 x cs Imperial DIM's case: 21.54 Lb, 25x13.87x10.37 in. Metric DIM's case: 9.77 Kg, 63.5x35.24x26.35 cm
3469NK	2.0 ml non-knurl skirted natural	Sterile E-Beam: Tube with cap threaded onto tube, single bag ziplok seal	Quantity: 500 x pk, 10 pk x cs, 5000 x cs Imperial DIM's case: 21.57 Lb, 25x13.87x10.37 in. Metric DIM's case: 9.78 Kg, 63.5x35.24x26.35 cm
3490NKS	2.0 ml non-knurl skirted natural	Sterile E-Beam: Tube only, no cap, single bag ziplok seal	Quantity: 500 x pk, 10 pk x cs, 5000 x cs Imperial DIM's case: 17.23 Lb, 25x13.87x10.37 in. Metric DIM's case: 7.82 Kg, 63.5x35.24x26.35 cm

Tube dimensions

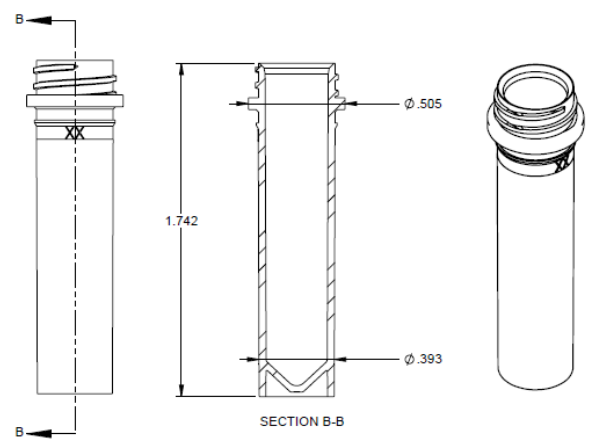
Unit of measure	Tube height without cap	Tube height with cap	Tube diameter
Imperial measurement	1.742 in	1.810 in	0.393 in
Metric measurement	4.42 cm	4.60 cm	1.00 cm



Tube with cap



Tube without cap



Product descriptions: 2.0 ml Screw Cap Micro Tube knurl non-skirted

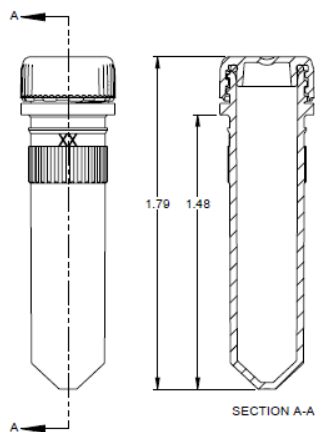
Item no.	Product description	Sterility & packaging description	Packaging quantity and dimension
3468A	2.0 ml knurl non-skirted amber	Non-Sterile: Tube with unattached cap, single bag ziplok seal	Quantity: 500 x pk, 10 pk x cs, 5000 x cs Imperial DIM's case: 20.6 Lb, 25x13.87x10.37 in. Metric DIM's case: 9.44 Kg, 63.5x35.24x26.35 cm
3470A	2.0 ml knurl non-skirted amber	Non-Sterile: Tube only, no cap, single bag ziplok seal	Quantity: 500 x pk, 10 pk x cs, 5000 x cs Imperial DIM's case: 16.56 Lb, 25x13.87x10.37 in. Metric DIM's case: 7.51 Kg, 63.5x35.24x26.35 cm
3463A	2.0 ml knurl non-skirted amber	Sterile E-Beam: Tube with cap threaded onto tube, single bag ziplok seal	Quantity: 500 x pk, 10 pk x cs, 5000 x cs Imperial DIM's case: 22.46 Lb, 25x13.87x10.37 in. Metric DIM's case: 10.19 Kg, 63.5x35.24x26.35 cm
3470AS	2.0 ml knurl non-skirted amber	Sterile E-Beam: Tube only, no cap, single bag ziplok seal	Quantity: 500 x pk, 10 pk x cs, 5000 x cs Imperial DIM's case: 16.56 Lb, 25x13.87x10.37 in. Metric DIM's case: 7.51 Kg, 63.5x35.24x26.35 cm
3470	2.0 ml knurl non-skirted natural	Non-Sterile: Tube only, no cap, single bag ziplok seal	Quantity: 500 x pk, 10 pk x cs, 5000 x cs Imperial DIM's case: 16.56 Lb, 25x13.87x10.37 in. Metric DIM's case: 7.51 Kg, 63.5x35.24x26.35 cm
3468	2.0 ml knurl non-skirted natural	Non-Sterile: Tube with unattached cap, single bag ziplok seal	Quantity: 500 x pk, 10 pk x cs, 5000 x cs Imperial DIM's case: 20.6 Lb, 25x13.87x10.37 in. Metric DIM's case: 9.44 Kg, 63.5x35.24x26.35 cm
3463	2.0 ml knurl non-skirted natural	Sterile E-Beam: Tube with cap threaded onto tube, single bag ziplok seal	Quantity: 500 x pk, 10 pk x cs, 5000 x cs Imperial DIM's case: 22.46 Lb, 25x13.87x10.37 in. Metric DIM's case: 10.19 Kg, 63.5x35.24x26.35 cm
3470S	2.0 ml knurl non-skirted natural	Sterile E-Beam: Tube only, no cap, single bag ziplok seal	Quantity: 500 x pk, 10 pk x cs, 5000 x cs Imperial DIM's case: 16.56 Lb, 25x13.87x10.37 in. Metric DIM's case: 7.51 Kg, 63.5x35.24x26.35 cm

Tube dimensions

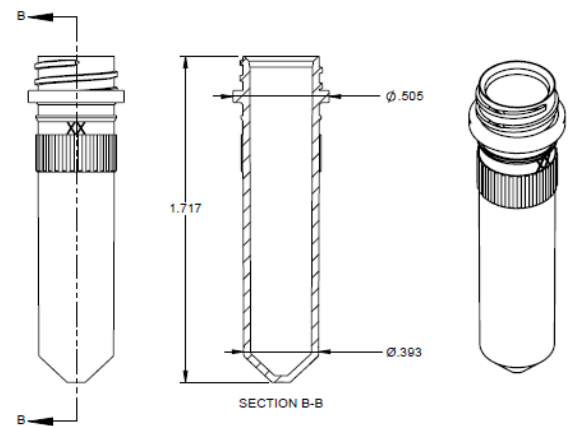
Unit of measure	Tube height without cap	Tube height with cap	Tube diameter
Imperial measurement	1.717 in	1.790 in	0.393 in
Metric measurement	4.36 cm	4.55 cm	1.00 cm



Tube with cap



Tube without cap



Product descriptions: 2.0 ml Screw Cap Micro Tube non-knurl non-skirted

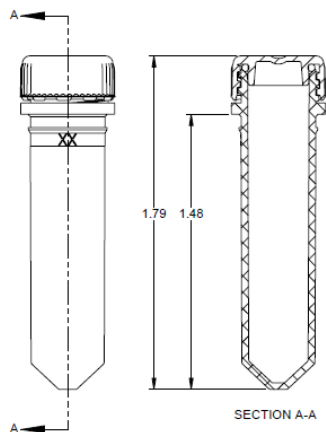
Item no.	Product description	Sterility & packaging description	Packaging quantity and dimension
3470ANK	2.0 ml non-knurl non-skirted amber	Non-Sterile: Tube only, no cap, single bag ziplok seal	Quantity: 500 x pk, 10 pk x cs, 5000 x cs Imperial DIM's case: 16.56 Lb, 25x13.87x10.37 in. Metric DIM's case: 7.51 Kg, 63.5x35.24x26.35 cm
3468ANK	2.0 ml non-knurl non-skirted amber	Non-Sterile: Tube with unattached cap, single bag ziplok seal	Quantity: 500 x pk, 10 pk x cs, 5000 x cs Imperial DIM's case: 20.6 Lb, 25x13.87x10.37 in. Metric DIM's case: 9.44 Kg, 63.5x35.24x26.35 cm
3463ANK	2.0 ml non-knurl non-skirted amber	Sterile E-Beam: Tube with cap threaded onto tube, single bag ziplok seal	Quantity: 500 x pk, 10 pk x cs, 5000 x cs Imperial DIM's case: 22.46 Lb, 25x13.87x10.37 in. Metric DIM's case: 10.19 Kg, 63.5x35.24x26.35 cm
3470ANKS	2.0 ml non-knurl non-skirted amber	Sterile E-Beam: Tube only, no cap, single bag ziplok seal	Quantity: 500 x pk, 10 pk x cs, 5000 x cs Imperial DIM's case: 16.56 Lb, 25x13.87x10.37 in. Metric DIM's case: 7.51 Kg, 63.5x35.24x26.35 cm
3470NK	2.0 ml non-knurl non-skirted natural	Non-Sterile: Tube only, no cap, single bag ziplok seal	Quantity: 500 x pk, 10 pk x cs, 5000 x cs Imperial DIM's case: 16.56 Lb, 25x13.87x10.37 in. Metric DIM's case: 7.51 Kg, 63.5x35.24x26.35 cm
3468NK	2.0 ml non-knurl non-skirted natural	Non-Sterile: Tube with unattached cap, single bag ziplok seal	Quantity: 500 x pk, 10 pk x cs, 5000 x cs Imperial DIM's case: 20.6 Lb, 25x13.87x10.37 in. Metric DIM's case: 9.44 Kg, 63.5x35.24x26.35 cm
3463NK	2.0 ml non-knurl non-skirted natural	Sterile E-Beam: Tube with cap threaded onto tube, single bag ziplok seal	Quantity: 500 x pk, 10 pk x cs, 5000 x cs Imperial DIM's case: 22.46 Lb, 25x13.87x10.37 in. Metric DIM's case: 10.19 Kg, 63.5x35.24x26.35 cm
3470NKS	2.0 ml non-knurl non-skirted natural	Sterile E-Beam: Tube only, no cap, single bag ziplok seal	Quantity: 500 x pk, 10 pk x cs, 5000 x cs Imperial DIM's case: 16.56 Lb, 25x13.87x10.37 in. Metric DIM's case: 7.51 Kg, 63.5x35.24x26.35 cm

Tube dimensions

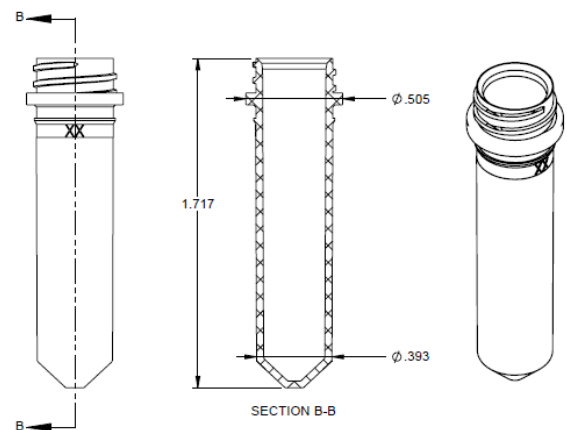
Unit of measure	Tube height without cap	Tube height with cap	Tube diameter
Imperial measurement	1.717 in	1.790 in	0.393 in
Metric measurement	4.36 cm	4.55 cm	1.00 cm




Tube with cap









Tube without cap



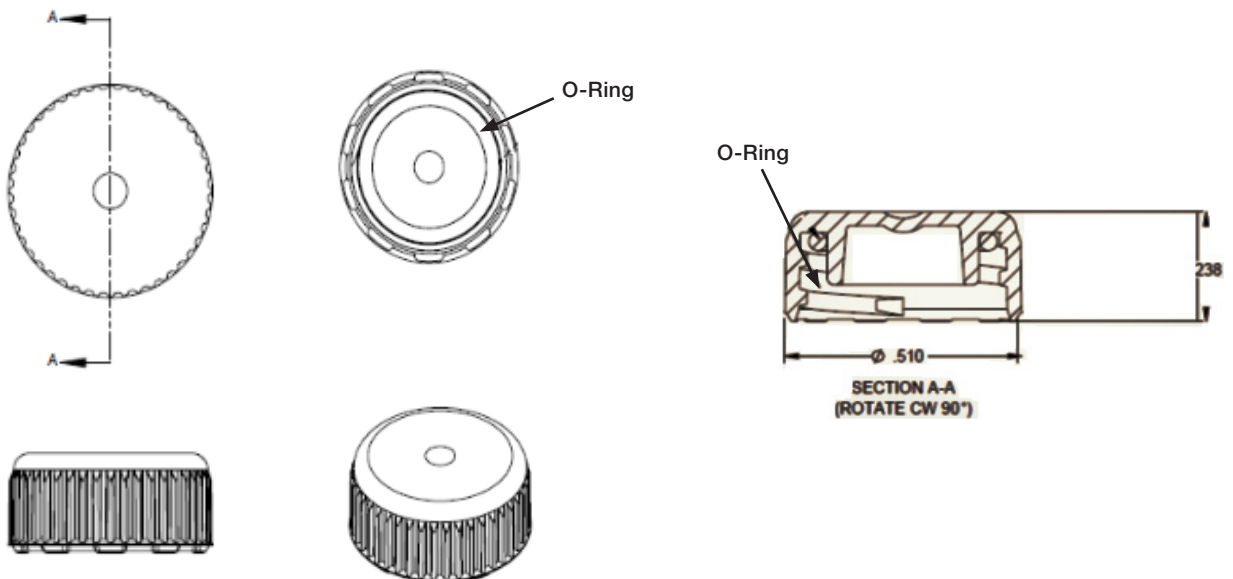
Product descriptions: Standard Screw Cap with O-Ring

Item no.	Product description	Sterility & packaging description	Packaging quantity and dimension
3471A	Standard cap amber 	Non-Sterile: Cap only, no tube, single bag ziplok seal	Quantity: 500 x pk, 10 pk x cs, 5000 x cs Imperial DIM's case: 4.42 Lb, 13.5x8.37x5.16 in. Metric DIM's case: 2.01 Kg, 34.29x21.27x13.098 cm
3471AS	Standard cap amber 	Sterile E-Beam: Cap only, no tube, single bag ziplok seal	Quantity: 500 x pk, 10 pk x cs, 5000 x cs Imperial DIM's case: 4.42 Lb, 13.5x8.37x5.16 in. Metric DIM's case: 2.01 Kg, 34.29x21.27x13.098 cm
3471BLK	Standard cap black 	Non-Sterile: Cap only, no tube, single bag ziplok seal	Quantity: 500 x pk, 10 pk x cs, 5000 x cs Imperial DIM's case: 4.42 Lb, 13.5x8.37x5.16 in. Metric DIM's case: 2.01 Kg, 34.29x21.27x13.098 cm
3471BLKS	Standard cap black 	Sterile E-Beam: Cap only, no tube, single bag ziplok seal	Quantity: 500 x pk, 10 pk x cs, 5000 x cs Imperial DIM's case: 4.42 Lb, 13.5x8.37x5.16 in. Metric DIM's case: 2.01 Kg, 34.29x21.27x13.098 cm
3471B	Standard cap blue 	Non-Sterile: Cap only, no tube, single bag ziplok seal	Quantity: 500 x pk, 10 pk x cs, 5000 x cs Imperial DIM's case: 4.42 Lb, 13.5x8.37x5.16 in. Metric DIM's case: 2.01 Kg, 34.29x21.27x13.098 cm
3471BS	Standard cap blue 	Sterile E-Beam: Cap only, no tube, single bag ziplok seal	Quantity: 500 x pk, 10 pk x cs, 5000 x cs Imperial DIM's case: 4.42 Lb, 13.5x8.37x5.16 in. Metric DIM's case: 2.01 Kg, 34.29x21.27x13.098 cm
3471G	Standard cap green 	Non-Sterile: Cap only, no tube, single bag ziplok seal	Quantity: 500 x pk, 10 pk x cs, 5000 x cs Imperial DIM's case: 4.42 Lb, 13.5x8.37x5.16 in. Metric DIM's case: 2.01 Kg, 34.29x21.27x13.098 cm
3471GS	Standard cap green 	Sterile E-Beam: Cap only, no tube, single bag ziplok seal	Quantity: 500 x pk, 10 pk x cs, 5000 x cs Imperial DIM's case: 4.42 Lb, 13.5x8.37x5.16 in. Metric DIM's case: 2.01 Kg, 34.29x21.27x13.098 cm
3471	Standard cap natural 	Non-Sterile: Cap only, no tube, single bag ziplok seal	Quantity: 500 x pk, 10 pk x cs, 5000 x cs Imperial DIM's case: 4.42 Lb, 13.5x8.37x5.16 in. Metric DIM's case: 2.01 Kg, 34.29x21.27x13.098 cm
3471S	Standard cap natural 	Sterile E-Beam: Cap only, no tube, single bag ziplok seal	Quantity: 500 x pk, 10 pk x cs, 5000 x cs Imperial DIM's case: 4.42 Lb, 13.5x8.37x5.16 in. Metric DIM's case: 2.01 Kg, 34.29x21.27x13.098 cm
3471O	Standard cap orange 	Non-Sterile: Cap only, no tube, single bag ziplok seal	Quantity: 500 x pk, 10 pk x cs, 5000 x cs Imperial DIM's case: 4.42 Lb, 13.5x8.37x5.16 in. Metric DIM's case: 2.01 Kg, 34.29x21.27x13.098 cm
3471OS	Standard cap orange 	Sterile E-Beam: Cap only, no tube, single bag ziplok seal	Quantity: 500 x pk, 10 pk x cs, 5000 x cs Imperial DIM's case: 4.42 Lb, 13.5x8.37x5.16 in. Metric DIM's case: 2.01 Kg, 34.29x21.27x13.098 cm
3471P	Standard cap pink 	Non-Sterile: Cap only, no tube, single bag ziplok seal	Quantity: 500 x pk, 10 pk x cs, 5000 x cs Imperial DIM's case: 4.42 Lb, 13.5x8.37x5.16 in. Metric DIM's case: 2.01 Kg, 34.29x21.27x13.098 cm
3471PS	Standard cap pink 	Sterile E-Beam: Cap only, no tube, single bag ziplok seal	Quantity: 500 x pk, 10 pk x cs, 5000 x cs Imperial DIM's case: 4.42 Lb, 13.5x8.37x5.16 in. Metric DIM's case: 2.01 Kg, 34.29x21.27x13.098 cm
3471R	Standard cap red 	Non-Sterile: Cap only, no tube, single bag ziplok seal	Quantity: 500 x pk, 10 pk x cs, 5000 x cs Imperial DIM's case: 4.42 Lb, 13.5x8.37x5.16 in. Metric DIM's case: 2.01 Kg, 34.29x21.27x13.098 cm
3471RS	Standard cap red 	Sterile E-Beam: Cap only, no tube, single bag ziplok seal	Quantity: 500 x pk, 10 pk x cs, 5000 x cs Imperial DIM's case: 4.42 Lb, 13.5x8.37x5.16 in. Metric DIM's case: 2.01 Kg, 34.29x21.27x13.098 cm

Item no.	Product description	Sterility & packaging description	Packaging quantity and dimension
3471V	Standard cap violet 	Non-Sterile: Cap only, no tube, single bag ziplok seal	Quantity: 500 x pk, 10 pk x cs, 5000 x cs Imperial DIM's case: 4.42 Lb, 13.5x8.37x5.16 in. Metric DIM's case: 2.01 Kg, 34.29x21.27x13.098 cm
3471VS	Standard cap violet 	Sterile E-Beam: Cap only, no tube, single bag ziplok seal	Quantity: 500 x pk, 10 pk x cs, 5000 x cs Imperial DIM's case: 4.42 Lb, 13.5x8.37x5.16 in. Metric DIM's case: 2.01 Kg, 34.29x21.27x13.098 cm
3471W	Standard cap white 	Non-Sterile: Cap only, no tube, single bag ziplok seal	Quantity: 500 x pk, 10 pk x cs, 5000 x cs Imperial DIM's case: 4.42 Lb, 13.5x8.37x5.16 in. Metric DIM's case: 2.01 Kg, 34.29x21.27x13.098 cm
3471WS	Standard cap white 	Sterile E-Beam: Cap only, no tube, single bag ziplok seal	Quantity: 500 x pk, 10 pk x cs, 5000 x cs Imperial DIM's case: 4.42 Lb, 13.5x8.37x5.16 in. Metric DIM's case: 2.01 Kg, 34.29x21.27x13.098 cm
3471Y	Standard cap yellow 	Non-Sterile: Cap only, no tube, single bag ziplok seal	Quantity: 500 x pk, 10 pk x cs, 5000 x cs Imperial DIM's case: 4.42 Lb, 13.5x8.37x5.16 in. Metric DIM's case: 2.01 Kg, 34.29x21.27x13.098 cm
3471YS	Standard cap yellow 	Sterile E-Beam: Cap only, no tube, single bag ziplok seal	Quantity: 500 x pk, 10 pk x cs, 5000 x cs Imperial DIM's case: 4.42 Lb, 13.5x8.37x5.16 in. Metric DIM's case: 2.01 Kg, 34.29x21.27x13.098 cm
3471MIX	Standard cap mixed colors include: Blk/Blue/Green/Nat/Org/Pink/Red/Violet/White/Yel. AMBER not included.	Non-Sterile: Cap only, no tube, single bag ziplok seal	Quantity: 500 x pk, 10 pk x cs, 5000 x cs Imperial DIM's case: 4.42 Lb, 13.5x8.37x5.16 in. Metric DIM's case: 2.01 Kg, 34.29x21.27x13.098 cm
3471MIXS	Standard cap mixed colors include: Blk/Blue/Green/Nat/Org/Pink/Red/Violet/White/Yel. AMBER not included.	Sterile E-Beam: Cap only, no tube, single bag ziplok seal	Quantity: 500 x pk, 10 pk x cs, 5000 x cs Imperial DIM's case: 4.42 Lb, 13.5x8.37x5.16 in. Metric DIM's case: 2.01 Kg, 34.29x21.27x13.098 cm

Cap dimensions

Unit of measure	Cap height	Cap diameter
Imperial measurement	0.238 in	0.510 in
Metric measurement	0.60 cm	1.30 cm



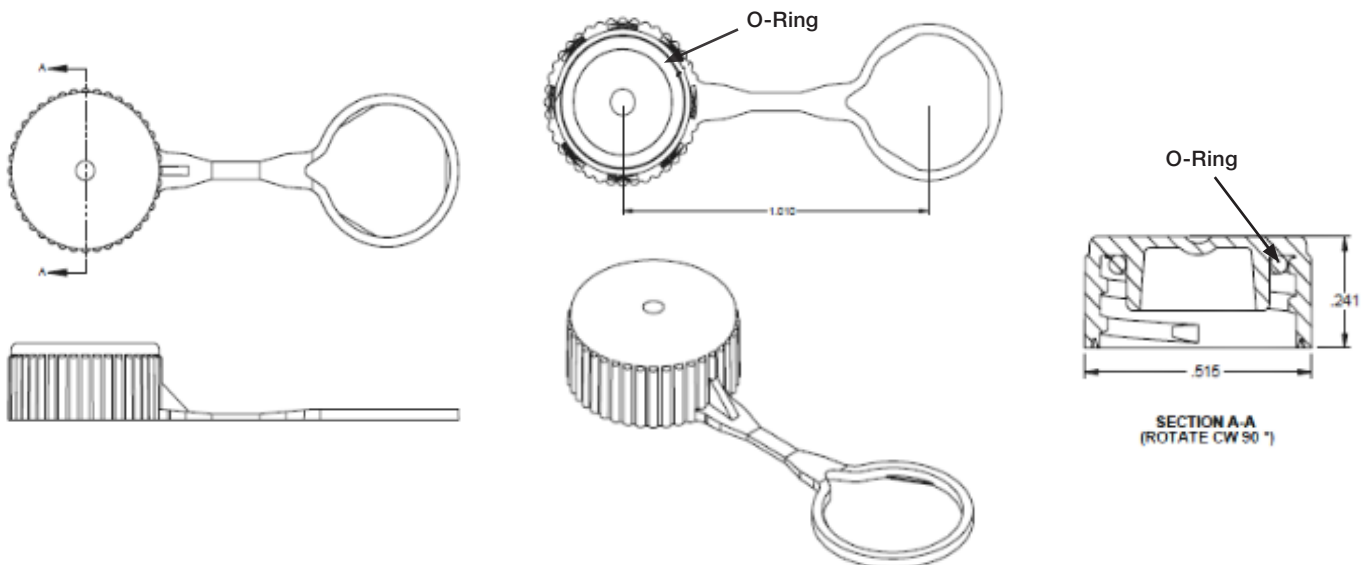
Product descriptions: Tethered Screw Cap with O-Ring

Item no.	Product description	Sterility & packaging description	Packaging quantity and dimension
3471TA	Tether cap amber	Non-Sterile: Tether cap only, no tube, single bag ziplok seal	Quantity: 500 x pk, 10 pk x cs, 5000 x cs Imperial DIM's case: 4.64 Lb, 13.5x8.37x5.16 in. Metric DIM's case: 2.1 Kg, 34.29x21.27x13.098 cm
3471TAS	Tether cap amber	Sterile E-Beam: Tether cap only, no tube, single bag ziplok seal	Quantity: 500 x pk, 10 pk x cs, 5000 x cs Imperial DIM's case: 4.64 Lb, 13.5x8.37x5.16 in. Metric DIM's case: 2.1 Kg, 34.29x21.27x13.098 cm
3471TBLK	Tether cap black	Non-Sterile: Tether cap only, no tube, single bag ziplok seal	Quantity: 500 x pk, 10 pk x cs, 5000 x cs Imperial DIM's case: 4.64 Lb, 13.5x8.37x5.16 in. Metric DIM's case: 2.1 Kg, 34.29x21.27x13.098 cm
3471TBLKS	Tether cap black	Sterile E-Beam: Tether cap only, no tube, single bag ziplok seal	Quantity: 500 x pk, 10 pk x cs, 5000 x cs Imperial DIM's case: 4.64 Lb, 13.5x8.37x5.16 in. Metric DIM's case: 2.1 Kg, 34.29x21.27x13.098 cm
3471TB	Tether cap blue	Non-Sterile: Tether cap only, no tube, single bag ziplok seal	Quantity: 500 x pk, 10 pk x cs, 5000 x cs Imperial DIM's case: 4.64 Lb, 13.5x8.37x5.16 in. Metric DIM's case: 2.1 Kg, 34.29x21.27x13.098 cm
3471TBS	Tether cap blue	Sterile E-Beam: Tether cap only, no tube, single bag ziplok seal	Quantity: 500 x pk, 10 pk x cs, 5000 x cs Imperial DIM's case: 4.64 Lb, 13.5x8.37x5.16 in. Metric DIM's case: 2.1 Kg, 34.29x21.27x13.098 cm
3471TG	Tether cap green	Non-Sterile: Tether cap only, no tube, single bag ziplok seal	Quantity: 500 x pk, 10 pk x cs, 5000 x cs Imperial DIM's case: 4.64 Lb, 13.5x8.37x5.16 in. Metric DIM's case: 2.1 Kg, 34.29x21.27x13.098 cm
3471TGS	Tether cap green	Sterile E-Beam: Tether cap only, no tube, single bag ziplok seal	Quantity: 500 x pk, 10 pk x cs, 5000 x cs Imperial DIM's case: 4.64 Lb, 13.5x8.37x5.16 in. Metric DIM's case: 2.1 Kg, 34.29x21.27x13.098 cm
3471TO	Tether cap orange	Non-Sterile: Tether cap only, no tube, single bag ziplok seal	Quantity: 500 x pk, 10 pk x cs, 5000 x cs Imperial DIM's case: 4.64 Lb, 13.5x8.37x5.16 in. Metric DIM's case: 2.1 Kg, 34.29x21.27x13.098 cm
3471TOS	Tether cap orange	Sterile E-Beam: Tether cap only, no tube, single bag ziplok seal	Quantity: 500 x pk, 10 pk x cs, 5000 x cs Imperial DIM's case: 4.64 Lb, 13.5x8.37x5.16 in. Metric DIM's case: 2.1 Kg, 34.29x21.27x13.098 cm
3471T	Tether cap natural	Non-Sterile: Tether cap only, no tube, single bag ziplok seal	Quantity: 500 x pk, 10 pk x cs, 5000 x cs Imperial DIM's case: 4.64 Lb, 13.5x8.37x5.16 in. Metric DIM's case: 2.1 Kg, 34.29x21.27x13.098 cm
3471TS	Tether cap natural	Sterile E-Beam: Tether cap only, no tube, single bag ziplok seal	Quantity: 500 x pk, 10 pk x cs, 5000 x cs Imperial DIM's case: 4.64 Lb, 13.5x8.37x5.16 in. Metric DIM's case: 2.1 Kg, 34.29x21.27x13.098 cm
3471TP	Tether cap pink	Non-Sterile: Tether cap only, no tube, single bag ziplok seal	Quantity: 500 x pk, 10 pk x cs, 5000 x cs Imperial DIM's case: 4.64 Lb, 13.5x8.37x5.16 in. Metric DIM's case: 2.1 Kg, 34.29x21.27x13.098 cm
3471TPS	Tether cap pink	Sterile E-Beam: Tether cap only, no tube, single bag ziplok seal	Quantity: 500 x pk, 10 pk x cs, 5000 x cs Imperial DIM's case: 4.64 Lb, 13.5x8.37x5.16 in. Metric DIM's case: 2.1 Kg, 34.29x21.27x13.098 cm
3471TR	Tether cap red	Non-Sterile: Tether cap only, no tube, single bag ziplok seal	Quantity: 500 x pk, 10 pk x cs, 5000 x cs Imperial DIM's case: 4.64 Lb, 13.5x8.37x5.16 in. Metric DIM's case: 2.1 Kg, 34.29x21.27x13.098 cm
3471TRS	Tether cap red	Sterile E-Beam: Tether cap only, no tube, single bag ziplok seal	Quantity: 500 x pk, 10 pk x cs, 5000 x cs Imperial DIM's case: 4.64 Lb, 13.5x8.37x5.16 in. Metric DIM's case: 2.1 Kg, 34.29x21.27x13.098 cm

Item no.	Product description	Sterility & packaging description	Packaging quantity and dimension
3471TV	Tether cap violet	Non-Sterile: Tether cap only, no tube, single bag ziplok seal	Quantity: 500 x pk, 10 pk x cs, 5000 x cs Imperial DIM's case: 4.64 Lb, 13.5x8.37x5.16 in. Metric DIM's case: 2.1 Kg, 34.29x21.27x13.098 cm
3471TVS	Tether cap violet	Sterile E-Beam: Tether cap only, no tube, single bag ziplok seal	Quantity: 500 x pk, 10 pk x cs, 5000 x cs Imperial DIM's case: 4.64 Lb, 13.5x8.37x5.16 in. Metric DIM's case: 2.1 Kg, 34.29x21.27x13.098 cm
3471TW	Tether cap white	Non-Sterile: Tether cap only, no tube, single bag ziplok seal	Quantity: 500 x pk, 10 pk x cs, 5000 x cs Imperial DIM's case: 4.64 Lb, 13.5x8.37x5.16 in. Metric DIM's case: 2.1 Kg, 34.29x21.27x13.098 cm
3471TWS	Tether cap white	Sterile E-Beam: Tether cap only, no tube, single bag ziplok seal	Quantity: 500 x pk, 10 pk x cs, 5000 x cs Imperial DIM's case: 4.64 Lb, 13.5x8.37x5.16 in. Metric DIM's case: 2.1 Kg, 34.29x21.27x13.098 cm
3471TY	Tether cap yellow	Non-Sterile: Tether cap only, no tube, single bag ziplok seal	Quantity: 500 x pk, 10 pk x cs, 5000 x cs Imperial DIM's case: 4.64 Lb, 13.5x8.37x5.16 in. Metric DIM's case: 2.1 Kg, 34.29x21.27x13.098 cm
3471TYS	Tether cap yellow	Sterile E-Beam: Tether cap only, no tube, single bag ziplok seal	Quantity: 500 x pk, 10 pk x cs, 5000 x cs Imperial DIM's case: 4.64 Lb, 13.5x8.37x5.16 in. Metric DIM's case: 2.1 Kg, 34.29x21.27x13.098 cm
3471TMIX	Tether cap mixed colors include: Blk/Blue/Green/Nat/Org/Pink/Red/Violet/White/Yel. AMBER not included.	Non-Sterile: Tether cap only, no tube, single bag ziplok seal	Quantity: 500 x pk, 10 pk x cs, 5000 x cs Imperial DIM's case: 4.64 Lb, 13.5x8.37x5.16 in. Metric DIM's case: 2.1 Kg, 34.29x21.27x13.098 cm
3471TMIXS	Tether cap mixed colors include: Blk/Blue/Green/Nat/Org/Pink/Red/Violet/White/Yel. AMBER not included.	Sterile E-Beam: Tether cap only, no tube, single bag ziplok seal	Quantity: 500 x pk, 10 pk x cs, 5000 x cs Imperial DIM's case: 4.64 Lb, 13.5x8.37x5.16 in. Metric DIM's case: 2.1 Kg, 34.29x21.27x13.098 cm

Cap dimensions

Unit of measure	Cap height	Cap center to center	Cap diameter
Imperial measurement	0.241 in	1.010 in	0.515 in
Metric measurement	0.61 cm	2.56 cm	1.31 cm



Clean claims

Catalog number	Description
Non-Sterile	Non-Sterile validated, Human & Mouse DNA <30 pg/μl, Rnase <1 x 10 ⁻⁹ Kunitz Units/μl, Dnase <1 x 10 ⁻⁷ Kunitz Units/μl, Pyrogen <0.5 EU/ml (20 EU per device)
Sterile Electron Beam (E-Beam)	Electron Beam Sterility validated to ISO11137, Sal 10 ⁻⁶ : Human & Mouse DNA <30 pg/μl, Rnase <1 x 10 ⁻⁹ Kunitz Units/μl, Dnase <1 x 10 ⁻⁷ Kunitz Units/μl, Pyrogen <0.5 EU/ml (20 EU per device), ATP <1 x 10 ⁻¹³ mg/μl
Tracemetal	Product is free of any trace metals
Animal free origin	Our material suppliers do not use or intentionally add ingredients
BSE & TSE	Our material suppliers do not use or intentionally add ingredients
Phtalates & Plastercerzs	Our material suppliers do not use or intentionally add ingredients
Chemical compatibility plastic	Refer to Labware Chemical Resistant Table www.thermofisher.com/microtubes
Chemical compatibility O-Ring	O-Ring chemical compatibility table available upon request

Manufacturing specifications

Specification	Description
ISO	Certified ISO9001 & ISO13485. Certificate available upon request
CE/IVD	No
Medical device	No
Warranty	1 year
Expiration date / Shelf life	4 years
Product storage	Store product in ambient, dry conditions
Product use	Laboratory, Single use only
General quality statement	Statement available upon request

Product properties

Catalog number	Description
Tube & cap material	100% Virgin Polypropylene (PP) for both natural and amber
O-Ring material	Black Color O-Ring, Ethylene Propylene Rubber Diene Monomer
Centrifuge rotor fits	Intended to fit standard rotor type
Storage rack fits	Intended to fit standard rack type
Water bath compatible	Yes, maximum temperature +95°C
Autoclavable	No
Temperature range	Temperature range, -80°C to +95°C
Cold storage	Cold storage, -80°C, -20°C, dry ice and wet ice
Liquid Nitrogen, LN2	Liquid Nitrogen: Short term Vapor Phase & Quick Flash Freeze acceptable, not recommended for LN2 submersion storage
Max RCF	Conical Tube: 0.5 ml is 25,000 x G. 1.5 & 2.0 ml is 20,000 x G
Max RCF	Skirted Tube: 0.5 ml, 1.5 & 2.0 ml are 18,000 x G
Min / Max. Torque, manual application	Manual/Hand Torque: Imperial: 0.125 lbf.in to 2.5 lbf.in; Metric: 1.412 Ncm to 28.24 Ncm
Min / Max. Torque, automated application	Automated/Robotic Torque Imperial: 1.312 lbf.in to 2.5 lbf.in; Metric: 14.83 Ncm to 28.24 Ncm
UV Resistance	Amber color only: (UV) Ultra violet protection avg. 1.22% transmittance between 220 and 500 nm
Binding property	Low Nucleic Acid and Protein Binding & Low Enzyme Inhibition



Find out more at thermofisher.com/microtubes

ThermoFisher
SCIENTIFIC

General Laboratory Use Only. Not for use in diagnostic procedures. © 2019 Thermo Fisher Scientific Inc. All rights reserved. All trademarks are the property of Thermo Fisher Scientific and its subsidiaries unless otherwise specified.

SS-MCTSCREWCAP-E 0519